

Type:

Model:

## DIPLOMAT LED BI-Pin Wall Wash Fixture

**ORDERING CODE:**

490010

**SPECIFICATIONS**

**HOUSING:**

Cast brass. Angled shroud.

**FINISH:**

Weathered brass. Custom powder coated colors available.

**LENS:**

Clear and frosted tempered glass lenses included.

**SOCKET/LAMP HOLDER:**

One fixed ceramic bi-pin socket accepts bi-pin lamps with G4 or GY6.35 base.

**LAMP TYPE:**

12V MR16 or bi-pin. LED recommended. 35W halogen or 7W LED maximum.

**MOUNTING:**

1/2" NPT. Heavy-duty composite stake included with stem. May be mounted into threaded hubs in junction boxes or other mounting accessories.

**WIRING:**

Pre-wired with 5' pigtail of 18/2 cable.

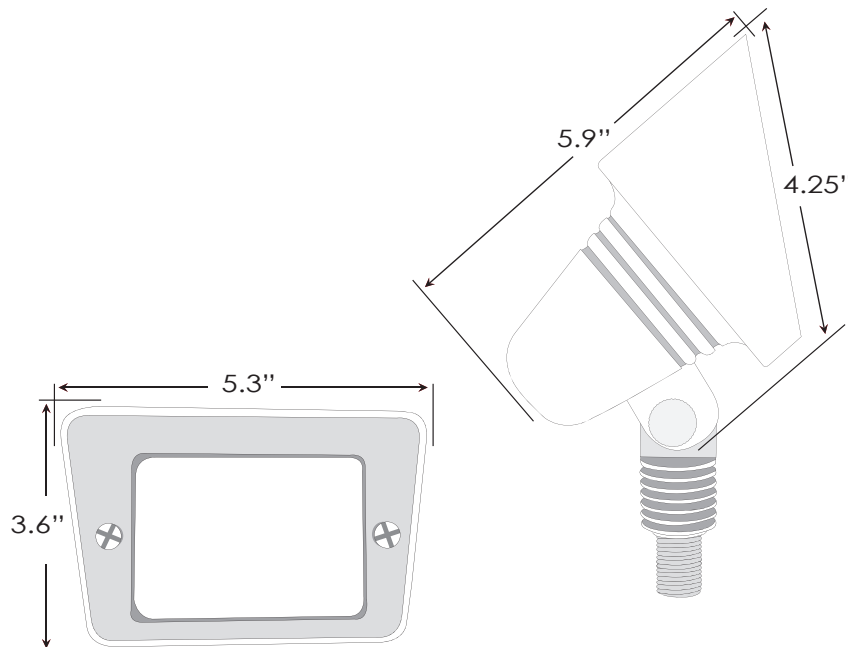
**WARRANTY:**

Lifetime.



The Diplomat large wall wash casts a very broad and even light on surfaces and scenery. Choose between the included clear and frosted lens options. The lens is gasketed onto an angled shroud. Dozens of bi-pin lamp options maximize your creative expression for wall washing applications, or install an MR16 LED lamp if you desire a longer throw or narrower, more directional beam-spread options ranging from 15° to 120°. Heavy-duty stake included.

### DIMENSIONS:



LED LAMP SPECIFICATIONS

**LAMP TYPE:**

12V Dauer MR16 lamp or bi-pin with 5-year warranty, dimmable, and suitable for enclosed luminaires.

**OPTICS:**

Integral optics providing available beam spreads from 15° to 120° for MR16 lamp (or no optics for bi-pin lamp).

**COLOR TEMPERATURES:**

Color temperature options provide the following qualities: 2700K, 3000K. Decorative color light options include amber, blue, green, red and purple.

**FIXTURE ORDERING INFORMATION**

To order a lamped fixture with mounting options, select the appropriate choice from each column as in the following example:

EXAMPLE (MR16): 490010-MR16-4W-60°-2700K-MS-R2

EXAMPLE (BI-PIN): 490010-BP-4WHO-2700K-MS-R2



FIXTURE	LAMP			MOUNTING	RISER
490010	WATTAGE	BEAM SPREAD	COLOR TEMP.	<b>MS</b> Composite stake (incl.) 490034 <b>M3</b> Trident Heavy-Duty 3-Prong Stake 490036 <b>PM</b> Round pier mount 490057 <b>MR</b> Round tapered 3-hole surface mount 490048 <b>MP</b> PVC/Brass post stake 490037	<b>R2</b> 2" brass riser 490038 <b>R3</b> 3" brass riser 490039 <b>R6</b> 6" brass riser 490031 <b>R12</b> 12" brass riser 490032 <b>R24</b> 24" brass riser 490033
	MR16 2W	25° / 40° / 60° / 100°	2700K / 3000K		
	MR16 3W	25° / 40° / 60°	2700K / 3000K		
	MR16 4W	25° / 40° / 60° / 100°	2700K / 3000K		
	MR16 5W	15° / 25° / 40° / 60° / 100°	2700K / 3000K		
		25°	Amber / Blue / Green / Red		
	MR16 5W	38°	Purple		
	MR16 6W	25° / 40° / 60°	2700K / 3000K		
	MR16 7W	15° / 30° / 45° / 60° / 120°	2700K / 3000K		
	Bi-pin 2W		2700K / 3000K		
	Bi-pin 3W		2700K / 3000K		
	Bi-pin 3.3W		Amber / Blue / Green / Red		
	Bi-pin 4W		Amber		
	Bi-pin 4W		2700K / 3000K		
Bi-pin 4WHO		2700K-HO / 3000K-HO			