

**M4B1-3.5W-27K-40-A**  
**M4B1-3.5W-30K-40-A**  
**M4B1-3.5W-27K-60-A**  
**M4B1-3.5W-30K-60-A**

**M4B1-5.5W-27K-40-A**  
**M4B1-5.5W-30K-40-A**  
**M4B1-5.5W-27K-60-A**  
**M4B1-5.5W-30K-60-A**

# Lumien**CORE**

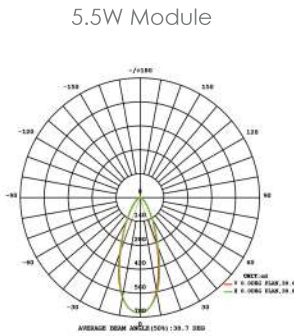
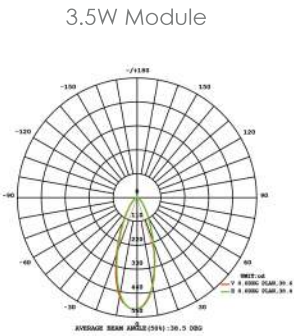
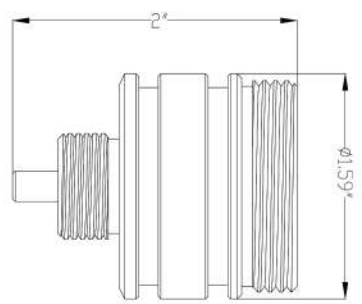


Micro Modules  
IP68 Rated (waterproof)



## SPECIFICATIONS

Fixture Type	Fixture Components	Fixture Material	Fixture Style	Watts	Color Temperature	Beam Spread	Finish
M (Micro)	4 (Integrated Modular)	B (Brass)	1 (ML)	3.5W (3.5W) 5.5W (5.5W)	27K (2700K) 30K (3000K)	40° 60°	A (Antiqued)



Construction: Brass  
 Finish: Antique Brush  
 Lead Wire: 6ft long  
 Light Source: Modular LED  
 Wattage: 3.5W & 5.5W  
 Operating Voltage: 12-15V  
 Lumens: 325 & 435 LM  
 Beam Spread: 40° or 60°  
 Color Temperature: 2700K, 3000K  
 Volt Amps: (3.5W) 5.59  
 Volt Amps: (5.5W) 8.66  
 RGB: No  
 CRI: 80+  
 Rated Life: 50,000 Hrs  
 Dimmable: Primary Dimming Capable

## ACCESSORIES



## WARRANTY

Lifetime Warranty on the Housing,  
10 Year Warranty on the LED Light Source

## CERTIFICATION

UL Listed I File #E501872

Lumien Lighting reserves the right to modify the design of our products at any time and data listed on spec sheets is subject to change.