

Type:

Model:

## CRESCENT LED Bi-Pin Deck Light Fixture

**ORDERING CODE:**

490075

**SPECIFICATIONS**

**HOUSING:**

Cast brass.

**FINISH:**

Weathered brass. Custom powder coated colors available.

**SOCKET/LAMP HOLDER:**

One fixed ceramic bi-pin socket accepts bi-pin lamps with G4 or GY6.35 base.

**LENS:**

Frosted flat tempered glass.

**LAMP TYPE:**

12V bi-pin. LED recommended. 30W halogen or 6W LED maximum.

**MOUNTING:**

Base plate.

**WIRING:**

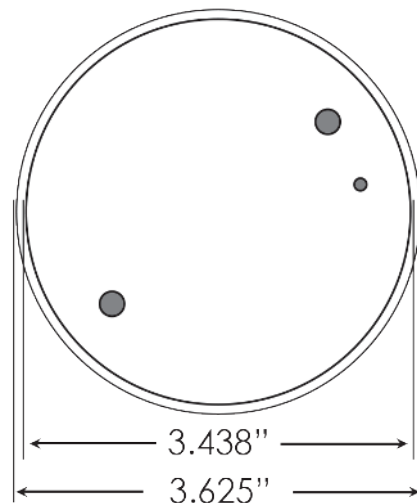
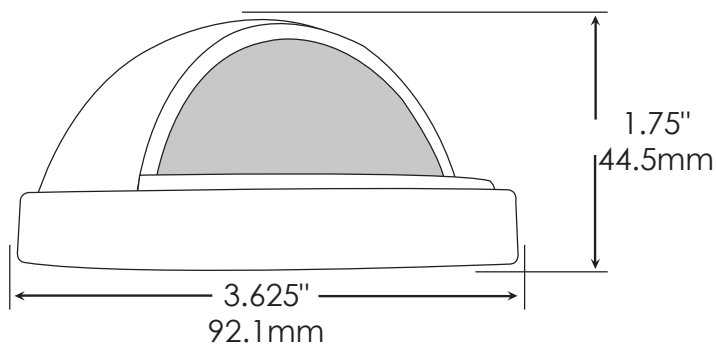
Pre-wired with 5' pigtail of 18/2 cable.

**WARRANTY:**

Lifetime.



### DIMENSIONS:



LED LAMP SPECIFICATIONS

**LAMP TYPE:**

Dauer encapsulated bi-pin with 5-year warranty.

**COLOR TEMPERATURES:**

2700K or 3000K. Decorative colors include amber, blue, green and red.

**FIXTURE ORDERING INFORMATION**

To order a lamped fixture with mounting options, select the appropriate choice from each column as in the following example:

EXAMPLE: 490075-4W-25-2700K

FIXTURE	LAMP		
	WATTAGE	TYPE	COLOR TEMP.
490075	2W	<b>E</b> Encapsulated bi-pin	2700K / 3000K
	3W	<b>E</b> Encapsulated bi-pin	2700K / 3000K
	3.3W	<b>S</b> SMD bi-pin	Amber / Blue / Green / Red
	4W	<b>E</b> Encapsulated bi-pin	Amber
	4W	<b>E</b> Encapsulated bi-pin	2700K / 3000K
	4W	<b>E</b> Encapsulated bi-pin	2700K-HO / 3000K-HO

