

Type:

Model:

EPIC Uplight Fixture

ORDERING CODE:
490015

SPECIFICATIONS

HOUSING:
Solid brass. Lock-and-load shroud with O-ring.

FINISH:
Weathered brass. Custom powder coated colors available.

LENS:
Clear tempered glass flat lens

SOCKET/LAMP HOLDER:
Stainless steel fork terminals.

LAMP TYPE:
12V PAR36. LED recommended. 12W LED or 35W halogen maximum.

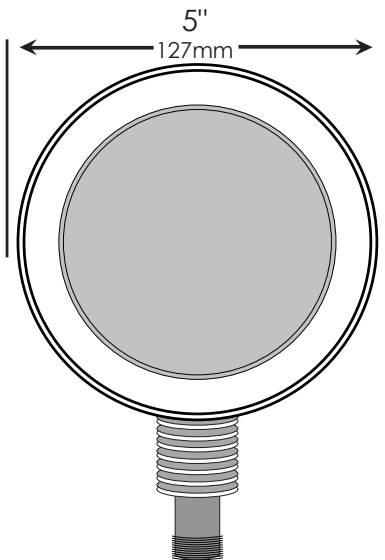
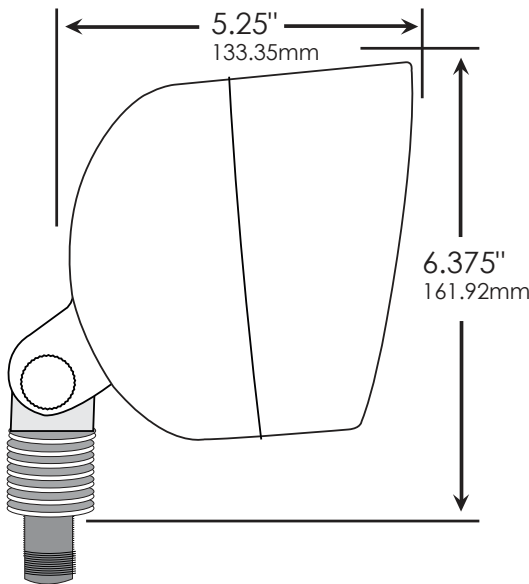
MOUNTING:
Stem threaded with 1/2" NPT. Heavy-duty composite stake included. May be mounted into threaded hubs in junction boxes or mounting accessories.

WIRING:
Pre-wired with 5' pigtail of 18/2 cable.

WARRANTY:
Lifetime.



DIMENSIONS:



LED LAMP SPECIFICATIONS

LAMP TYPES:

PAR36 IP65 outdoor-rated lamp with 5-year warranty.

OPTICS:

Integral optics providing available beam spreads from 25° to 100°.

COLOR TEMPERATURES:

2900K or 3000K color temperature.

FIXTURE ORDERING INFORMATION

To order a lamped fixture with mounting options, select the appropriate choice from each column as in the following example:

EXAMPLE: 490015-PAR36-8W-36-MR-R6



FIXTURE		LAMP		MOUNTING	RISER
490015	TYPE	WATTAGE	BEAM SPREAD	MS Composite stake (incl.) - 490034 M3 Trident Heavy-Duty 3-Prong Stake - 490036 PM Round pier mount - 490057 MR Round tapered 3-hole surface mount - 490048 MP PVC/Brass post stake - 490037 GM Brass gutter mount - 490047 RMP Round Brass Electrical Mounting Plate - 490043 REP Rectangular Brass Electrical Mounting Plate - 490044	R2 2" brass riser 490038 R3 3" brass riser 490039 R6 6" brass riser 490031 R12 12" brass riser 490032 R24 24" brass riser 490033
	PAR36 IP65 2900K	4W / 6W / 8W	36° / 60° / 100°		